

# Service-Information Motorcycle



BMW NA  
Service Department

Group: 61  
General  
Electrics

August, 1987

61 014 87  
(2263)

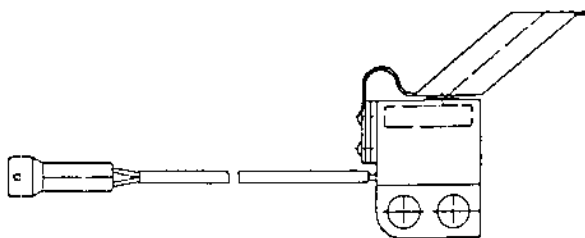
For USA Only

## Improved Brake Light Switches - All Models

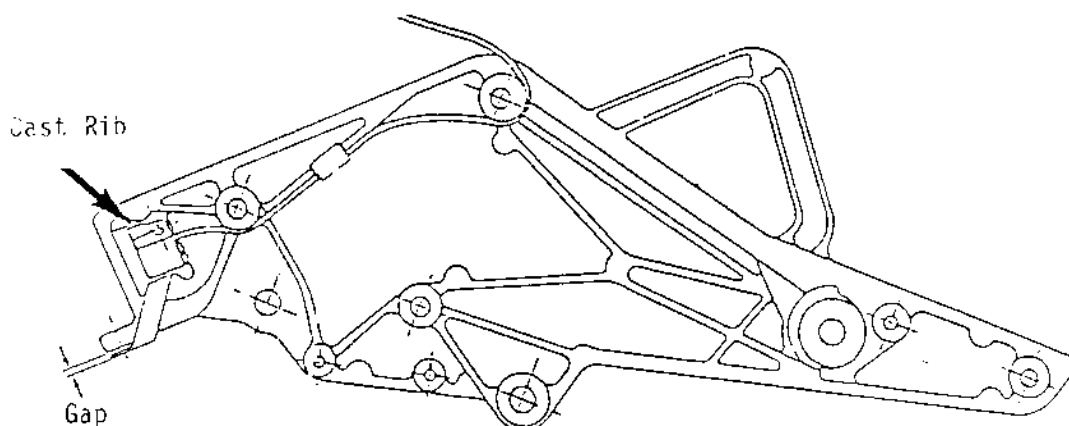
**Information:** Brake Light Switch - Part No. 61 31 1 459 519 - has been replaced with the following part numbers:

61 31 1 459 588 Rear Brake Light Switch - K-models  
61 31 1 459 569 Front and Rear Brake Light Switch  
(except R80G/S)

**Rear Brake Light Switch:** K-Models - Part No. 61 31 1 459 588



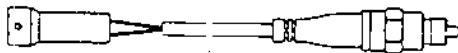
This switch can be used in place of the plunger-type switch on all K-models utilizing the **solid mount** type foot rest plate, which has an additional casting rib and mounting hole. (This switch was introduced during the 1987 production year). When installing the switch, ensure that the Switch Mounting Plate is resting against the cast rib of the footrest plate (see arrow).



The switch is positioned correctly when there is a slight gap between the Levering Tab and the Foot Rest Plate. When the switch is correctly positioned, a click can be heard when the Foot Brake Pedal is depressed.

**Front & Rear  
Brake Light  
Switch:**

R and K Models - Part No. 61 31 1 459 569



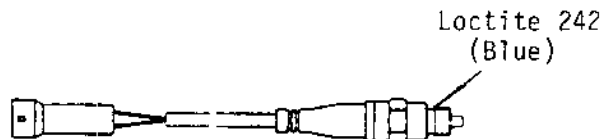
**K Models:**

This switch replaces switch - Part No. 61 31 1 459 519 - which was used as a Front Brake Light Switch, Clutch Safety Switch, and Choke Light Switch.

**R Models:**

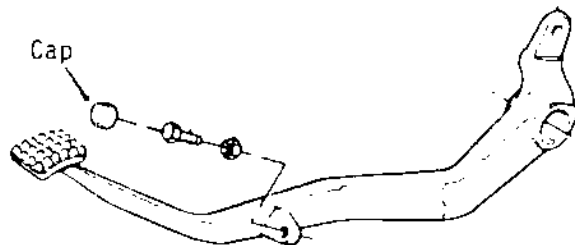
The new switch - Part No. 61 31 459 569 - can be used on both front and rear Brake Light Switches and Clutch Safety Switch (except the R80GS Rear Brake Light Switch).

When installing Switch 61 31 1 459 569, it must not be overtightened. Maximum torque is 5 nm (3.6 ft/lb). To prevent damage to the switch from over-torque we recommend a drop of Loctite on the switch flange.



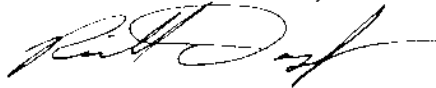
**Important:**

When installing switch 61 31 1 459 569 on a K75C model (with drum brake), a cap - Part No. 35 21 1 244 520 - must be pressed onto the head of the screw which activates the switch.



Very truly yours,

BMW OF NORTH AMERICA, INC.



Richard Dampf  
National Technical Manager  
Motorcycle Group

RD:je1/032