

Service-Information Motorcycle



BMW NA
Service Department

Group: 52
Dual Seat

August, 1988
52 006 88
(2321)

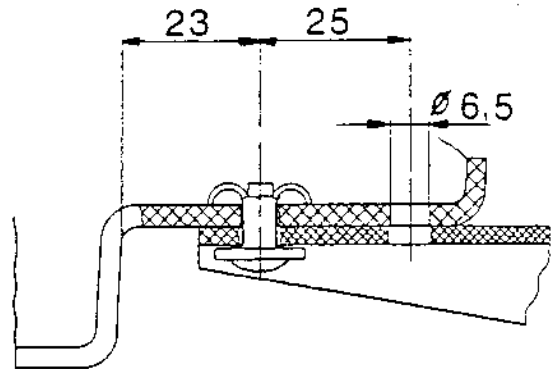
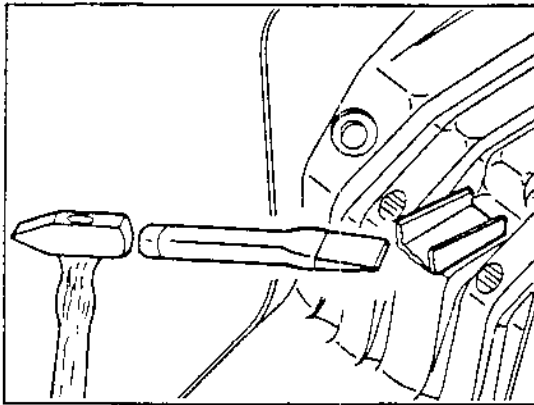
For USA Only

Dual Seat Locating Arm - R100GS

Complaint: Locating Arm breaks off

Cause: The method of attaching the Locating Arm (by hot glueing) causes the plastic arm to become brittle. If the seat is incorrectly installed (the plastic arm lying on top of the frame tube instead of into it), it can break under the rider's weight.

Remedy: Production motorcycles no longer have the glued-on arm. The arm is now bolted to the seat base. Remove the remaining part of the arm, using a chisel as shown below. Drill two 6.5mm holes in the seat base and install the parts contained in Repair Kit 52 53 2 307 170. See line drawing below for measurements:



Warranty Status:

Parts and Labor are reimbursable under the provisions of the BMW Motorcycle Limited Warranty of three (3) years/unlimited miles, using a normal Warranty Claim Form:

Defect Code No.: 0000520100
Flat Rate Code: WT
Flat Rate Units: 3 (15 min.)

Very truly yours,

BMW OF NORTH AMERICA, INC.

Frank Stevens
National Service Manager
/978.4

Richard Dampf
National Technical Manager