

Service-Information Motorcycle



BMW NA
Service Department

Group: 46

April, 1992
46 037 92
(2520)

For USA Only

Frame

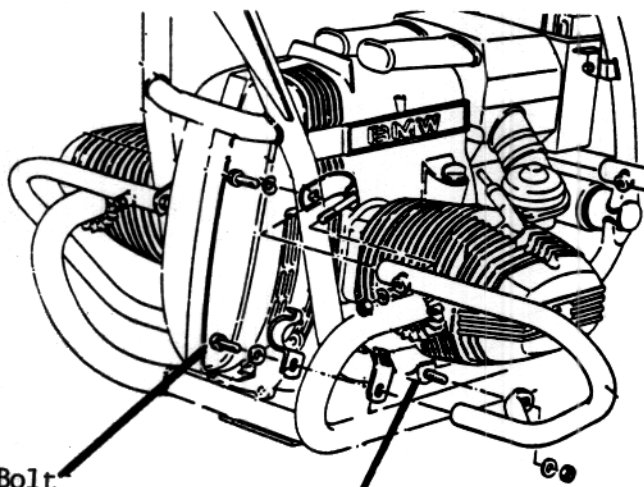
Installation of Engine Protection Bars - R100R

Information: Engine Protection bars incorrectly aligned, side stand contacts exhaust pipe.

Remedy: Flat washers included in the mounting set must be installed on the front engine mounting bolt prior to mounting engine bars. Install two washers on the left side (side stand side) and one washer on the right side.

Warranty: Labor is reimbursable under the provisions of the BMW limited motorcycle warranty, using a normal warranty claim form. Parts are supplied free of charge.

Mileage: 05
Defect Code No.: 46 71 02 78 WM
Flat Rate Units: 5 (25 min.)
Flat Rate No.: 46 71 265



Very truly yours,

BMW of North America, Inc.

Frank Stevens
National Service Manager
Motorcycle Group

Allen Bolt

Two flat washers

Richard Dampf
National Technical Manager

FS:tb/1.5

Please initial and route to the following before filing

| Service | Parts | Sales | Warranty | Technicians | | |
|---------|-------|-------|----------|-------------|--|--|
| | | | | | | |